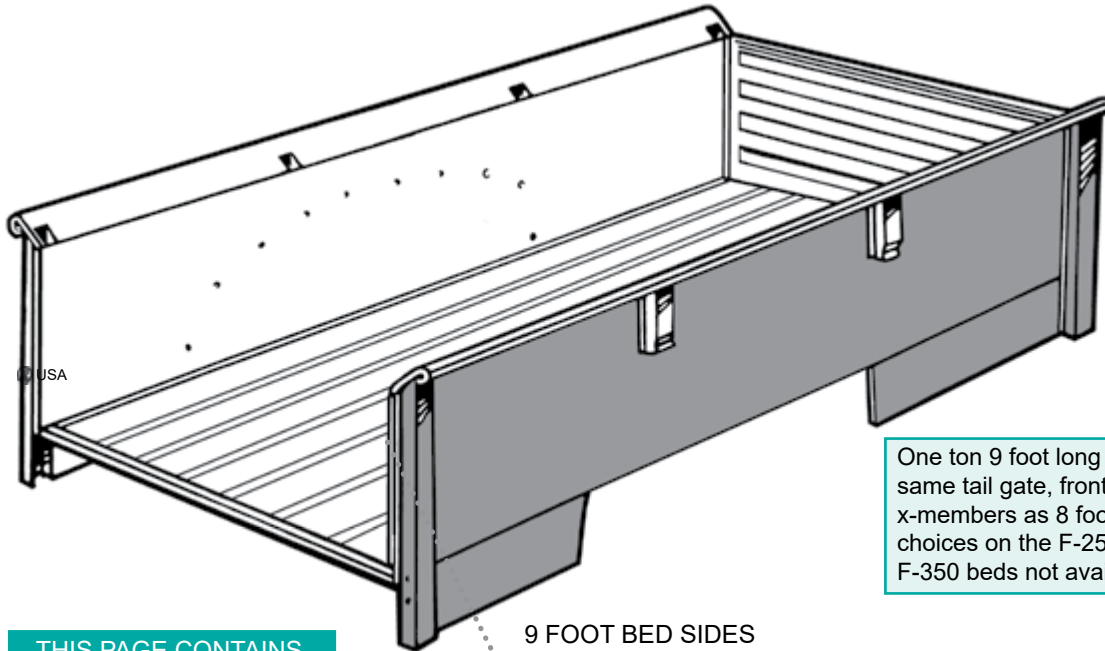


9 FOOT LONG BED



One ton 9 foot long bed uses same tail gate, front panel, and x-members as 8 foot bed. See choices on the F-250 pages. F-350 beds not available in kits.

THIS PAGE CONTAINS LONG BED PARTS ONLY

9 FOOT BED SIDES

Please call us about long bed sides to see if they are available



BED PANEL EXTENSION (included with bedside above)

Front	Left...F3-0206-L	Right...F3-0206-R\$42.50 ea
Rear	Left...F3-0207-L	Right...F3-0207-R\$30.00 ea



BED STRIPS

Stock square punched holes. Sold in sets of 6 pcs.

Steel, satin finish with holesF3-90208-Z\$140.00 set
Stainless steelF3-90208-S\$195.00 set
Polished, with holesF3-90208-P\$195.00 set
No holes. Drill your own, sold each		
SteelF3-0212-Z\$22.00 ea
Polished stainlessF3-0212-P\$32.00 ea
Polished wow strips with hidden fastness		
Set includes special "T" boltsF3-90209-P\$299.00 set



9 FT BED WOOD

Red oak, 7 pcs, 1 center, 2 middles, 2 left sides & 2 right sides.

No holes or wheel tub cutoutsF3-90213\$395.00 ea
With holes & wheel tub, 1951-55F3-90211-5155\$495.00 set
With holes & wheel tub, 1956-60F3-90211-5660\$495.00 ea



INSULATORS Crossmember to frameF2-0214\$10.00 ea



WOODEN MOUNTING BLOCKS.....F2-0215\$49.00 set
Go inside crossmembers holding them above frame.