

HORN

HORN BUTTONS

All include black plastic mounting base

50TH ANNIVERSARY

Includes stainless ring, plastic insert and black plastic backing. This button celebrated the Ford trucks 50th year in 1953

Button 2781-53A \$74.95 ea
 Plastic insert only 2737-ANV \$49.95 ea

5 STAR

54-56 polished stainless 2785-PS \$45.00 ea
 54-56 black center 2784 \$45.00 ea

BOLT & GEAR

Silver with red center 2783-56 \$49.95 ea
 All polished stainless 2782-PS \$49.95 ea

Steering wheels see page 153

HORN BUTTON PARTS

CONTACT SPRING 2733 \$6.50 ea

Looks like a piece of grapefruit, it is what makes contact with wire

WIRE, INSULATOR & CONTACT 2730 \$14.00 ea

Not included in any wire harness, goes inside steering shaft, Bakelite piece is not available separately, is installed on this wire along with special contact end.

BRASS CONTACT CAP 2732 \$6.50 ea

This is cap that must be removed to access shaft nut, make sure Bakelite insulator on horn wire is properly seated in center indent

RETAINER BELL SPRING 2734 \$6.50 ea

Slips into slots in cup, makes ears that hold button on, push button down and turn clockwise to install, counter clockwise to remove

SUPPORT CUP 2735 \$12.00 ea

Some buttons have different height cups Measure area between spring slot and top, short one (2735-SHT) is 1/8" and was used in 48-52 trucks and many 57-60 trucks, correct one (2735) is 1/4"

HORN KIT All above pieces 92730 \$43.50 kit

HORN

REPLACEMENT, CHROME 2793-CH \$44.50 pr.

REPLACEMENT, SMALL UNIVERSAL, order by tone.

Low, driver side 2793-L \$20.00 ea

High, passenger side 2793-R \$20.00 ea

ORIGINAL SNAIL STYLE. Most trucks had one horn but these reproductions are only sold in pairs

High and low pair 2790 \$89.95 pr

HORN WIRE From relay to horn 3209-H \$4.50 ea

HORN MOUNTING BRACKET

1956 driver side 2796-56L \$12.50 ea

1956 passenger side 2796-56R \$12.50 ea

1953-55 driver side 2795-5355L \$12.50 ea

1953-55 passenger side 2795-5355R \$12.50 ea

HORN BRACKET TO SADDLE BOLTS

Zinc 82795-Z \$4.90 ea

Polished hex 82795-PX \$7.90 ea

Polished button 82795-PB \$8.90 ea

HORN TO BRACKET TABS 2798 \$10.00 pr

2 pairs needed, this mounts horn to bracket and prevents "dull" sound

HORN BODY TO TAB BOLTS 82798 \$1.10 pr

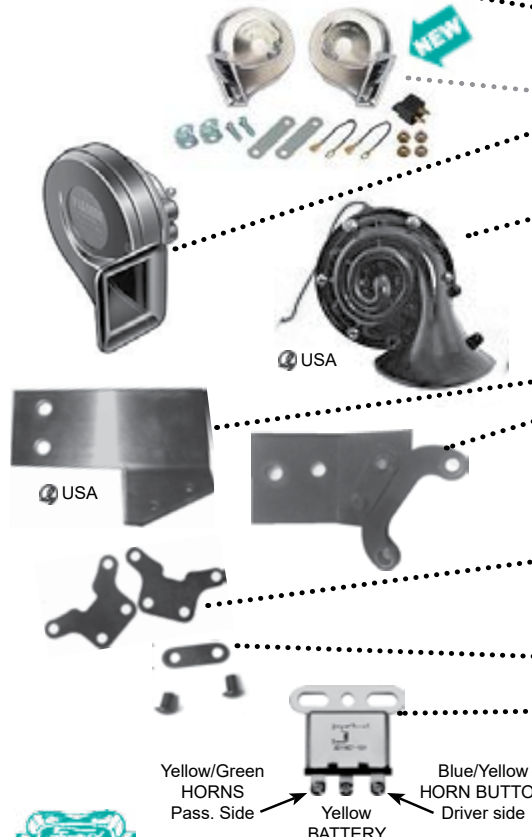
BODY TO TAB ATTACHING KIT Original 2799 \$4.00 set

BODY TO TAB SPACERS Replacements 82799 \$1.65 pr

HORN RELAY

12 volt 3229 \$19.95 ea

Note Gm, Ididit & Flaming River Columns use GM Relay, not this one



34 HORN

1-800-252-1956
 Tech/Alt 928-565-2763