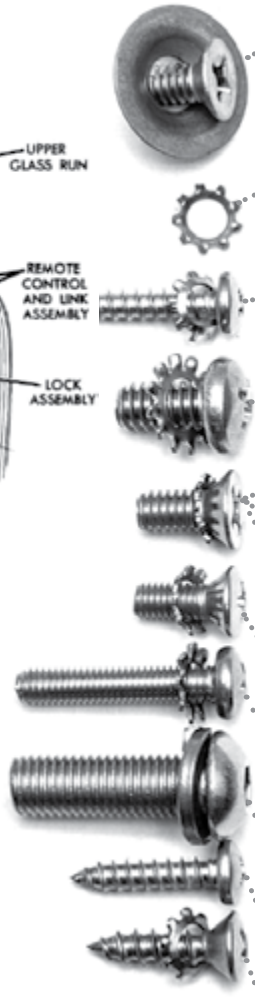
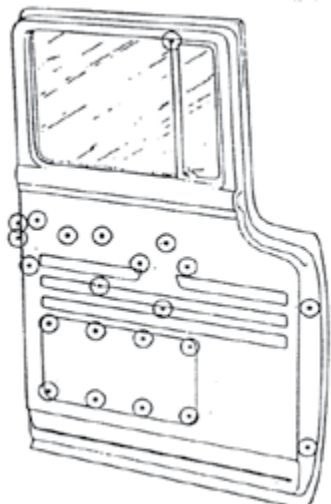
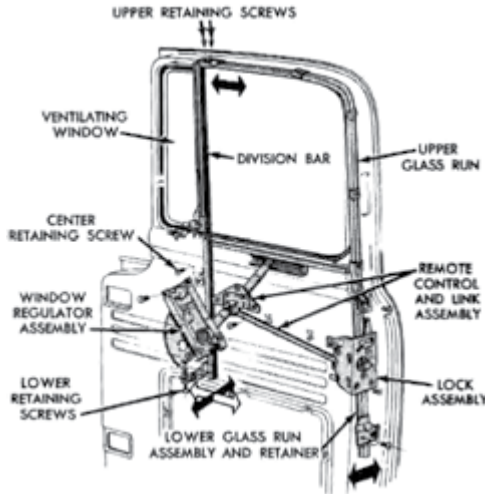


DOOR HARDWARE



- REPAIR WASHER & BOLT**
For latch, door & window regulators. Special made washer to reinforce "walled" out holes in any of the countersunk locations on door, includes locking bolt
Each81107.....\$1.70 ea
- 1956 VENT FRAME SCREW WASHERS**
Early production 1956 truck doors had oversize screw holes in this location. If yours is one, this is the fix. Vent frame screw oversize washers
4 pieces81145-W.....\$0.65 set
- DIVISION BAR INSTALL KIT**
Stainless83152-SS.....\$3.00 kit
Polished stainless.....83152-PS.....\$8.25 kit
- CHANNEL BRACKET INSTALL KIT**
Stainless83153-SS.....\$4.00 set
Polished stainless.....83153-PS.....\$6.90 set
- WINDOW REGULATOR SCREW KIT**
Zinc.....81151-Z.....\$3.50 set
Stainless81151-SS.....\$5.50 set
Polished stainless.....81151-PS.....\$6.90 set
- DOOR REGULATOR SCREW KIT**
Zinc.....81090-Z.....\$2.50 set
Stainless81090-SS.....\$3.50 set
Polished stainless.....81090-PS.....\$5.00 set
- DOOR LATCH SCREW KIT Originals**
Zinc.....81108-OZ.....\$3.00 set
Stainless81108-OSS.....\$5.00 set
Polished stainless.....81108-OPS.....\$7.50 set
- DOOR LATCH SCREW KIT Replacements**
Zinc.....81109-RZ.....\$3.00 set
Stainless81109-RSS.....\$5.00 set
Polished stainless.....81109-RPS.....\$7.50 set
- OUTSIDE DOOR HANDLE SCREWS**
Zinc.....81124-Z.....\$1.00 kit
Stainless81124-SS.....\$1.50 kit
Polished stainless.....81124-PS.....\$2.00 kit
- DOOR HINGE BOLT SET Does one hinge**
Black.....81129-B.....\$5.00 set
Stainless81129-SS.....\$6.75 set
Polished Button Head.....81129-PB.....\$8.50 set
Polished Hex Head.....81129-PX.....\$8.50 set
- HINGE INSPECTION PLATE SCREWS**
Zinc.....81178-Z.....\$3.00 set
Stainless81178-SS.....\$4.50 set
Polished stainless.....81178-PS.....\$5.90 set
- DOOR INSPECTION PLATE SCREWS**
Zinc.....81118-Z.....\$3.50 kit
Stainless81118-SS.....\$6.90 kit
Polished stainless.....81118-PS.....\$10.50 kit
- COMPLETE DOOR SCREW SET**
Zinc.....91120-Z.....\$20.00 set
Stainless91120-SS.....\$32.00 set
Polished stainless.....91120-PS.....\$46.00 set

FELT CHANNEL FORMING INSTRUCTIONS

Gently bend in a massaging manner toward end until both stainless beads slide forward.

If bead is caught on channel material, clip channel away from bead until it moves freely

Secure glass in upright position. Locate and match up center point of glass and channel

Smooth and massage channel into gentle curve.

Make sure bead ends are moving out and channel is sliding along entire length

Continue to shape against glass and straight down.

Clip off excess stainless bead. Install formed channels in channel holder brackets. Glue into place. Glue works better than clips in most cases.

Tip, if using clip in or clips, do not file down hole in bracket, file down clip for best results, again, glue works even better. To install cut a piece of 1/4" wood, put it in the channel and tap.

