

1956 SOLID SIDE GLASS KIT

Includes everything for both doors, tempered glass in choice of clear, double dark, tinted, smoke or blue. One piece channels, front run channel brackets, bracket kit, lower felt wipes, hardware and instructions. Oversize shipping (A few Limo Dark Kits left, ASK)

KIT FOR STOCK WINDOW REGULATORS

Includes lower lift channels for stock regulators.

- POLISHED STAINLESS BEAD \$350.00 kit
- Clear...91726-WCC Smoke...91726-WCS Tint...91726-WCT
- Back, no bead..... \$355.00 kit
- Clear...91727-WCS Smoke...91727-WCS Tint...91727-WCT

KIT FOR POWER WINDOW KITS

No lift channels, all power window kits come with lift channels.

- Polished stainless bead..... \$290.00 kit
- Clear...91726-NOC Smoke...91726-NOS Tint...91726-NOT
- Black, no bead..... \$299.00 kit
- Clear...91727-NOC Smoke...91727-NOS Tint...91727-NOT

NO GLASS KIT

Everything but the glass.

- Polished stainless bead.....91728-56NG..... \$210.00 kit
- Black, no bead.....91729-56NG..... \$210.00 kit
- Order extended lower lift runners if not using a power window kit.*
- Laminated glass may break without them, our glass is tempered.*

INDIVIDUAL SOLID SIDE PIECES

- SOLID SIDE GLASS ONLY 1729-56 \$70.00 ea
- Clear, tint, smoke, double dark or blue (blue is additional \$5.00)*

LOCK SIDE UPPER & BACK CHANNEL BRACKET

Holds window channel.

- Driver side, fits 1953-56..... 3114-L \$40.00 ea
- Passenger ,fits 1953-56..... 3114-R..... \$40.00 ea

LOWER FELT WIPES

Formed, with clips, does one door

- Stainless bead 1727-56 \$49.00 pr
- Black Bead, 1727-56B..... \$49.00 pr
- Do-yourself, black bead, glue in 1727-BK \$17.50 pr
- Do-yourself, stainless bead, glue in ..1727-ST..... \$17.50 pr

1956 EXTENDED LOWER LIFT RUNNER

Use these if using stock window regulators, or if not using our tempered glass, laminated glass may break without this support.

- Driver....1731-5355XL or Passenger..1731-5355XR \$39.00 ea

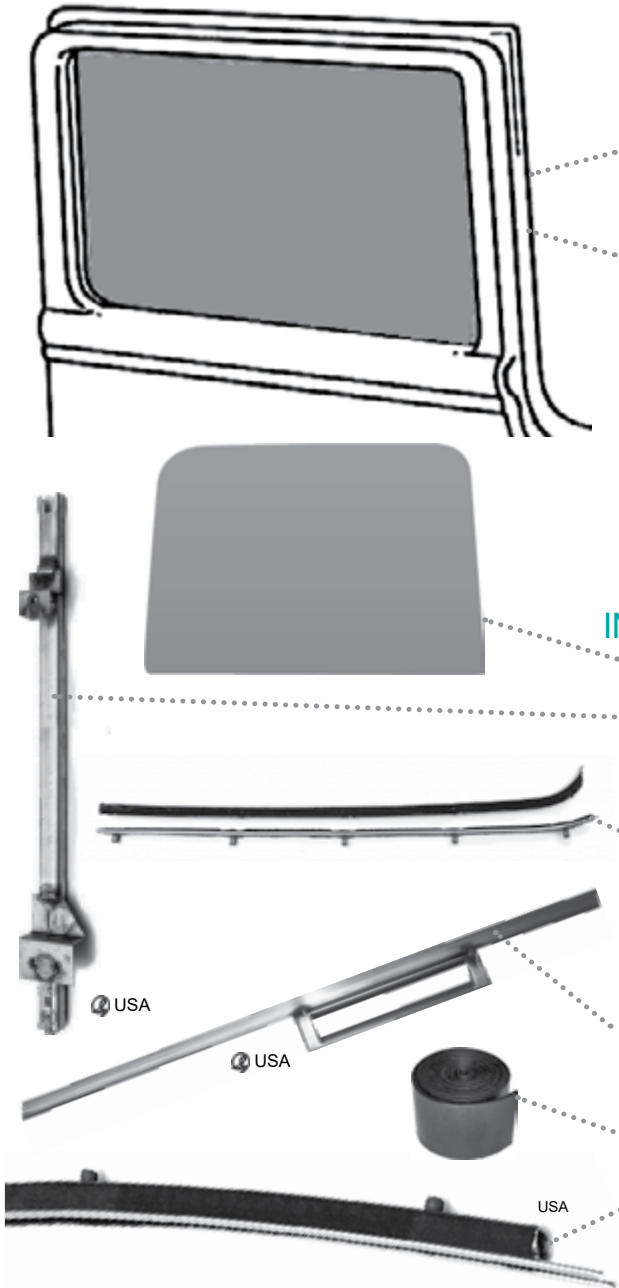
GLASS SEAT TAPE KIT 81620

- \$5.00 pr
- Does both sides, for setting glass into lower lift.*

GLASS FELT CHANNEL

96" Long. Goes around glass to bottom of door. Shape to fit any door, chop tops, etc Oversize shipping

- Stainless bead 3107-UN \$42.50 ea
- Black, no bead..... 3108-B..... \$45.00 ea



1956 solid side glass has a right and left, it looks like the same but curve is slightly different, determine correct side before setting in lift channels. Upper and back window channels take a little coaxing into shape. If you are doing solid side windows the channels need to make a complete upside down U shape going all the way up, over and down both sides of glass. If you rush this process the stainless bead will crimp and separate from felt material. Don't try messing with original style clips, glue channels in at original clip points with weatherstrip glue. Lubricate felts with dry graphite, see previous page. See felt bending instructions on page 87