

Outside Mirror Install Instructions

Part Number

1158-4852ST

#@\$!*#@\$\$% INSTRUCTIONS

MID FIFTY F-100 PARTS 800-252-1956 MIDFIFTY.COM

1932-1952 Ford DOOR HINGE MIRRORS INSTALLATION INSTRUCTIONS



1932-34 Pickup



1935-47 Pickup

50-17741-C
1935-47 Pickup



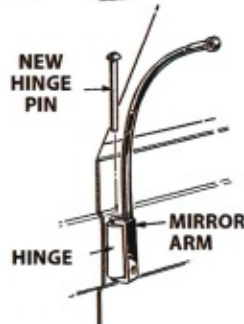
1935-40 Car
1948-52 Pickup



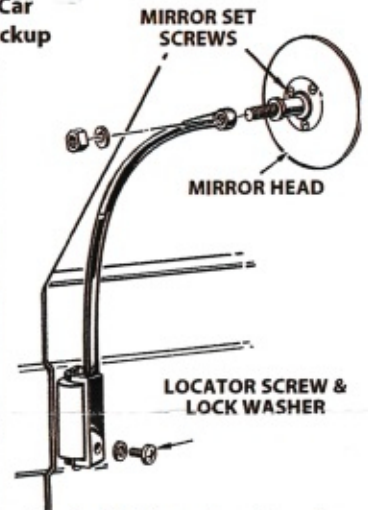
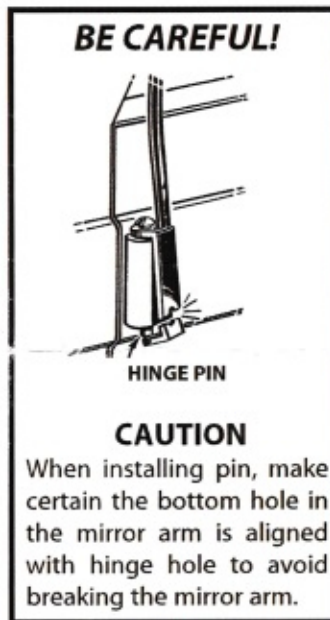
1935-40 Car
1948-52 Pickup



81119
Hinge Pin Puller Kit
Great tool for many uses!



- Place the new mirror arm on the door hinge and carefully align the supplied hinge pin into the top hole. Use a block of wood over the pin head and tap it into the hinge with a hammer or rubber mallet.



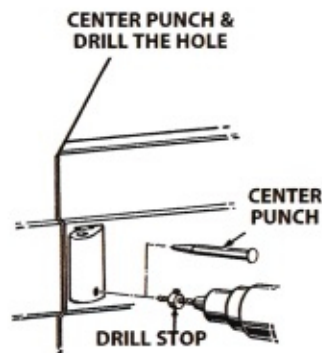
- Install the mirror head and adjust the arm to your desired position. Check rear-view visibility from your seated driving position.

If your hinge is already drilled and tapped for the mirror arm locator screw, proceed to step 9 below. If not, continue with step 4.

- Remove the upper door hinge pin (Drake's Hinge Pin Puller Kit (TL-100) is the best tool for this job).

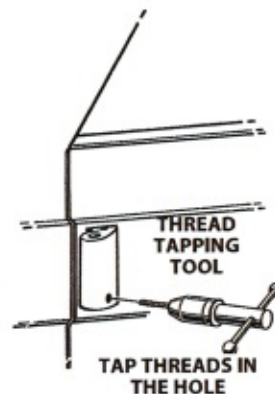


- Mark the location for the mirror arm locator screw on the hinge, once you've determined the final position.



- Remove the hinge pin and mirror arm. Center-punch the mark for the mirror arm locating screw.

- Use a No. 16 or 1/64" drill bit with a drill stop set at 5/16" depth to drill the hinge at the locator screw mark.



- Tap hole using a 12-24 tap and clean-out hole with compressed air or spray-lube.
- Re-install the mirror arm and tighten the locator screw.

- Once the locator screw is tight and the mirror head is adjusted for correct view, tighten the 3 mirror set screws on the back of the mirror head. **DONE!**

