

• TOP COWL ANTENNA •

1947/48

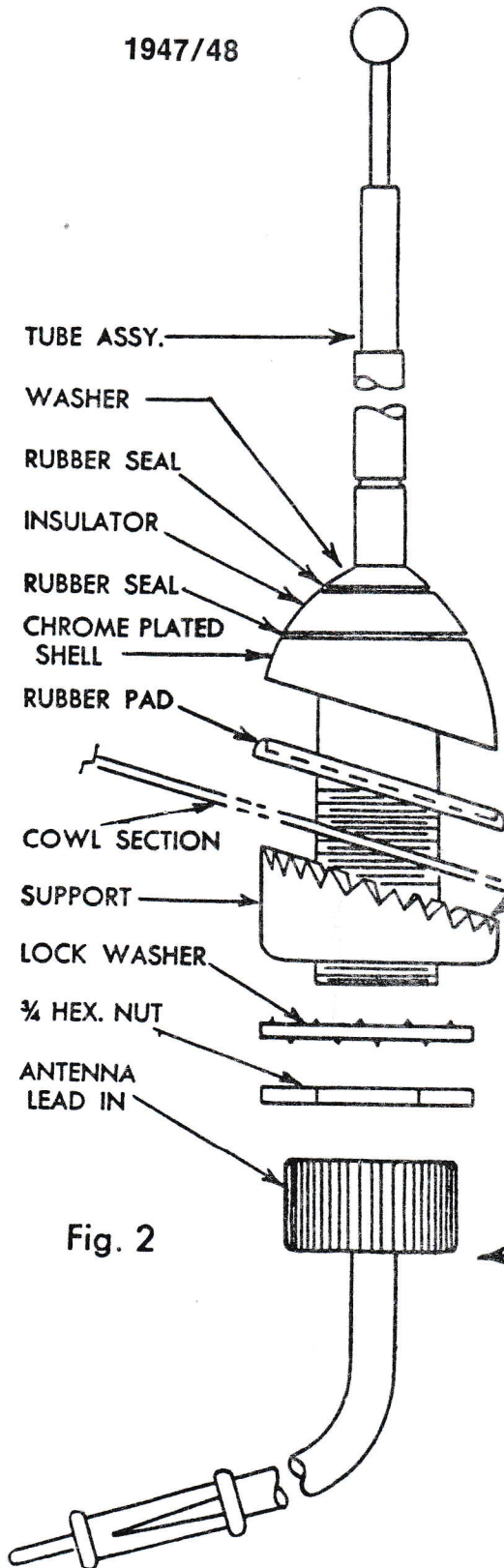
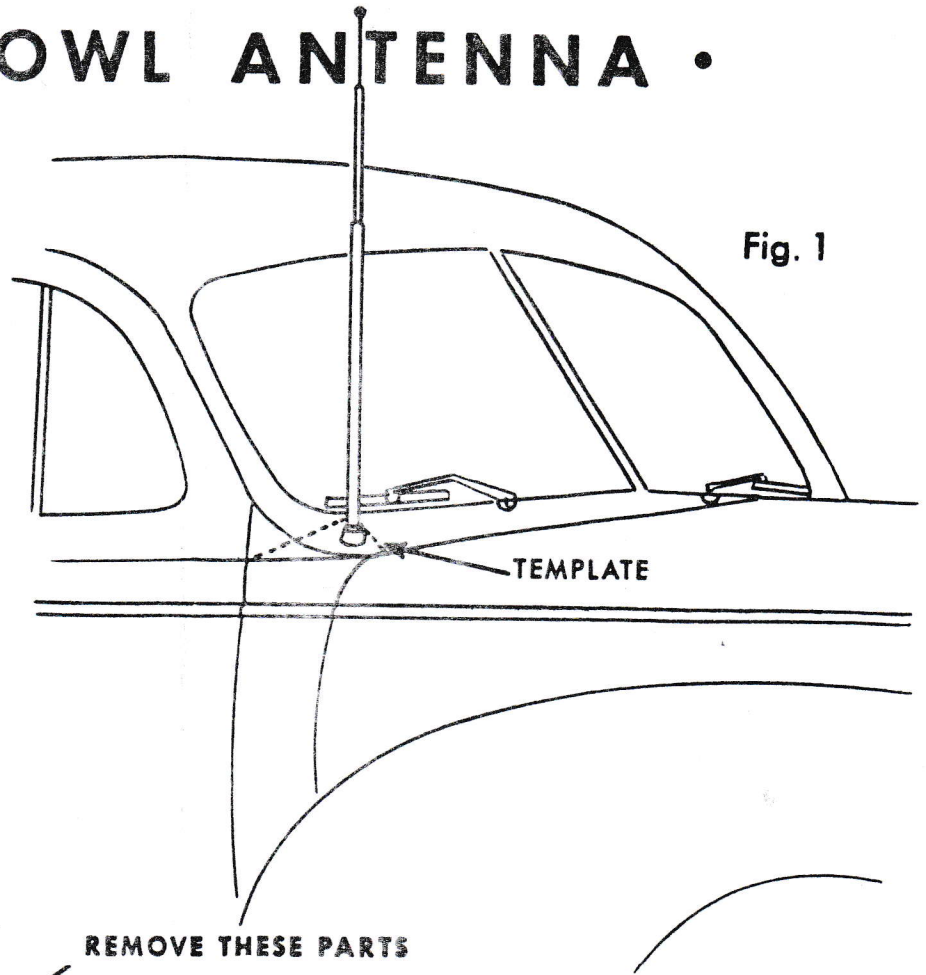
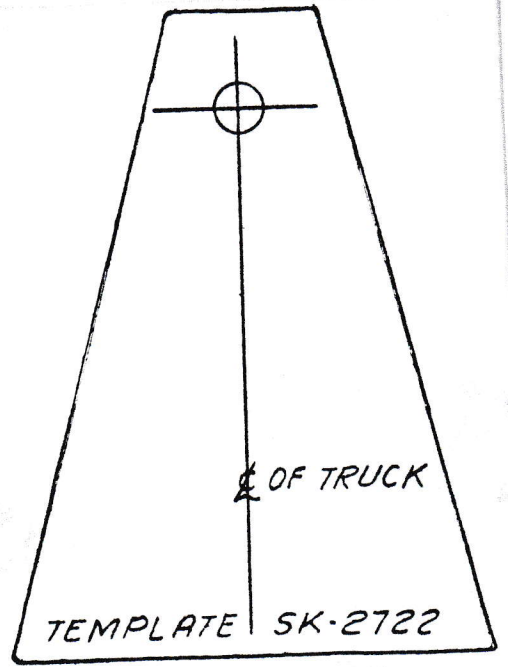
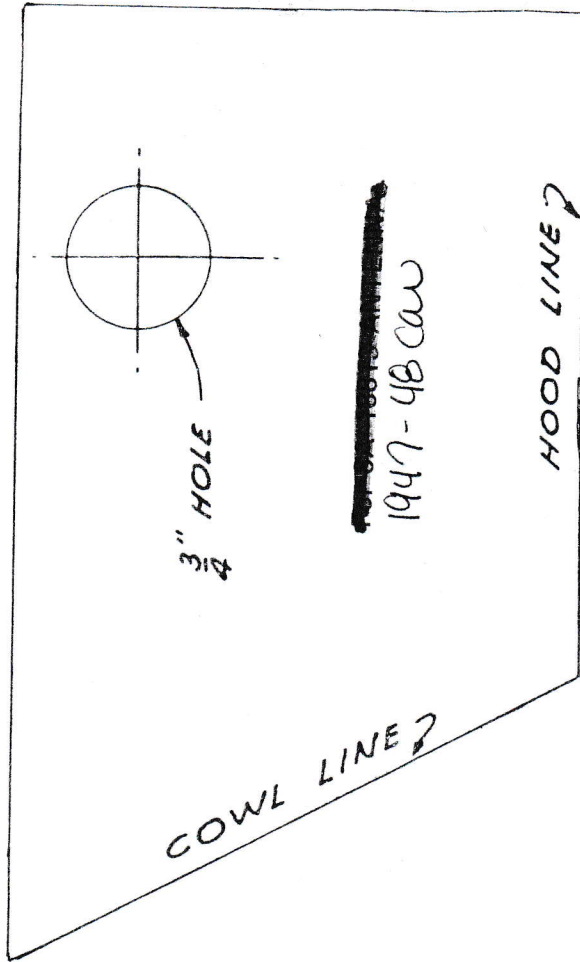


Fig. 2



INSTALLATION INSTRUCTIONS

- 1 LOCATE TEMPLATE AS SHOWN IN FIG. 1 ON THE R. H. TOP COWL AND CENTER PUNCH FOR 3/4" HOLE. REMOVAL OF THE GLOVE COMPARTMENT WILL FACILITATE THE INSTALLATION. DRILL A 3/4" HOLE IN THE TOP COWL. REDRILL HOLE WITH THE SAME DRILL KEEPING THE DRILL IN A VERTICAL POSITION.
- 2 DISASSEMBLE ANTENNA AS SHOWN IN FIG. 2. INSERT ANTENNA TUBE THROUGH HOLE FROM OUTSIDE THE COWL AND REASSEMBLE.
- 3 ADJUST ANTENNA TO VERTICAL POSITION WITH A SLIGHT ANGLE TOWARD THE REAR OF THE CAR BY ROTATING THE ANTENNA SHELL TO MATCH THE CONTOUR OF THE COWL SURFACE. TIGHTEN THE 3/4" HEX NUT.
- 4 ATTACH ANTENNA LEAD-IN TO ANTENNA, INSTALL GLOVE BOX COMPARTMENT, ROUTE ANTENNA LEAD-IN OVER GLOVE BOX COMPARTMENT AND PLUG INTO CAR RADIO RECEIVER.



TEMPLATE FOR 1948-52 PICKUP
TOP OF COWL ANTENNA

