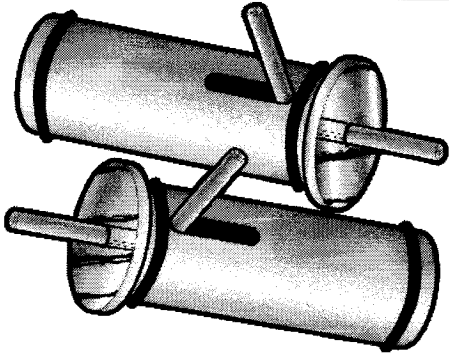


TAILGATE ROLL LATCHES

INST-
0261-T
0261-M
PAGE
1 OF 1

#@\$!*@#\$\$% INSTRUCTIONS
MID FIFTY F-100 PARTS 1-800-252-1956



Remove (unscrew) thumb post for installation.

Not all tailgate rolls are the same. The inside measurements varied from year to year, even in Fords Original gates.

This size fits most but you may have one it does not fit.

The Tailgate roll may need cleaning up if it has weld spots from tailgate chain installations. This kit requires a hole in the bed that goes on the gate side of the stake pocket. Grommets #80261 make a nice finish and prevent paint chipping.

