

# Cowl Vent Seal

INST-0902

#@\$!\*@#\$\$% INSTRUCTIONS  
MID FIFTY F-100 PARTS 1-800-252-1956

## COWL VENT INSTALLATION & ADJUSTMENT

The cowl vent is connected to the control handle by the cowl vent link arm which we call the lift "moon" arm as it is slightly curved.

The fit of the vent against the rubber can be adjusted by changing the position of the handle. The handle is mounted to a support bracket which is then mounted under the dash on the dash to firewall brace, our #0909-5355 or 0909-56 Elongated bolt holes in the support bracket allow the handle to be moved forward and backward on the brace. Bolts are # 80907

To tighten the cowl down, move the handle bracket backward for instance.

To hold the cowl up in any position tighten the spring on the handle. See our catalog for available parts.

Cowl vent assembly is held on with 2 "hinges" our #0908-5355 or 0908-56, see photo to left.

These are adjustable on the side of the vent. (see bottom drawing)

To adjust, loosen the screws on each side, and shift vent assembly in the elongated holes. Note the vent is shifting on the hinges as the holes are elongated in the vent itself so do not remove the screws, just loosen them. Note also that the screws (our number 80902-PS or 80902-SS) are supplied with gripping star washers so the adjustment will hold.

To shift the vent from side to side, bend the cowl hinge arms. If your hinge arms are excessively worn or bent you may need to replace them. See our part number 0908-5355 & 0908-56.

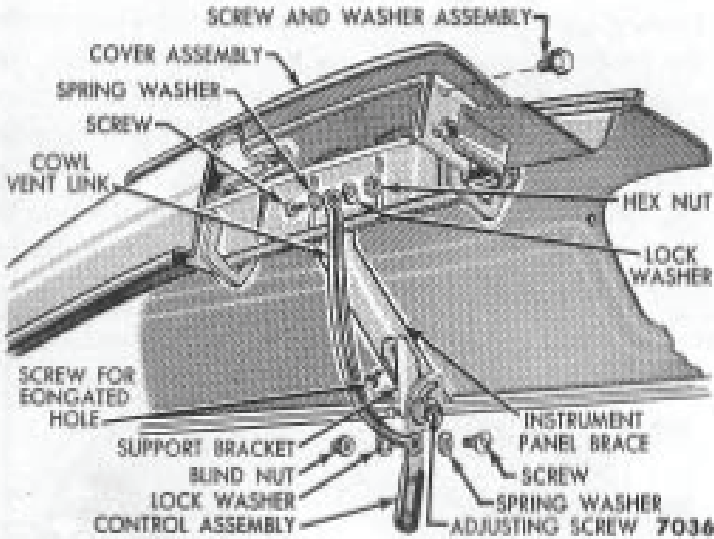
## WEATHERSTRIP REPLACEMENT:

This is not an easy task!!!

Remove the vent. Remove the old weather strip from the opening. Clean it thoroughly. Apply an even layer of rubber cement to the opening. Position the weather strip in the opening and press firmly in place. Sounds easy doesn't it. The weather strip is exactly the correct size and is checked and rechecked for size before shipped as we are accustomed to installers having trouble with this installation. I suggest test fitting with some clamps, and making a few locating marks. This will help keep you from stretching it or bunching it when gluing in place. Then use the clamps again when installing.

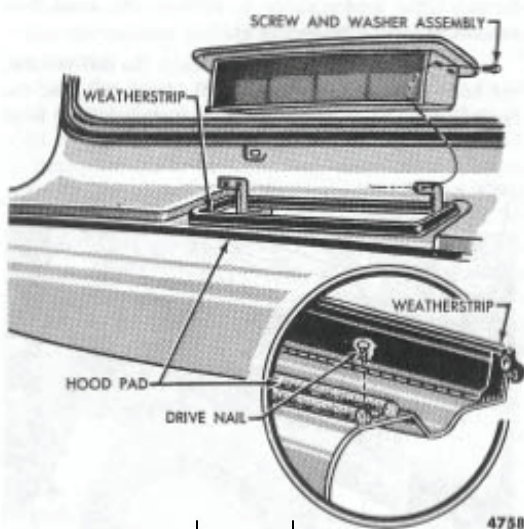
Tip: make a bunch of little chalk marks around when test fitting. Then when gluing, match them up so you know you are not stretching or bunching the rubber.

Last Revision 01/03/2012



### Cowl Vent Hinge

Only one side shown, pair is right and left.  
1953-55....0908-5355  
1956.....0908-56



### \*\*Note:

The seal will fit a 1953-55 with out modification, but 1956 will require 1 1/2"-2" to be cut out.

