

WINDOW REGULATOR SHAFT REPLACEMENT 1953 - 1956

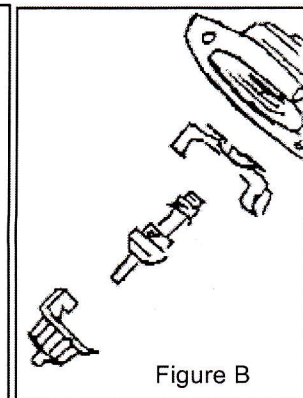
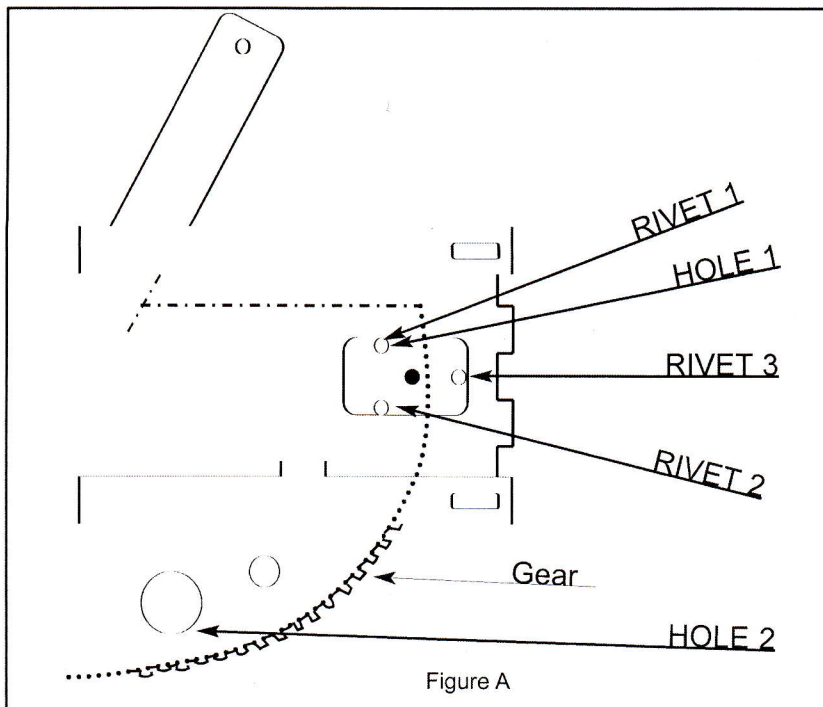
#@\$!*@#\$\$% INSTRUCTIONS

MID FIFTY F-100 PARTS 1-800-252-1956

PART NUMBER
1102-AII
1103-AII

PAGE NUMBER
1 of 1

1. Move gear to extreme position as shown.
2. Drill out rivet #1 - mark gear below for drilling.
3. Center gear and drill out large enough to slip small bolt head through.
4. Move gear to extreme opposite position and drill out #2 - mark gear below for drilling.
5. Center gear and drill.
6. Drill out rivet #3



Mid Fifty F-100 Parts
(800) 252-1956



INST-1102

INST, WINDOW REGULATOR
SHAFT REPAIR

7. Remove and clean old parts.
8. Re-assemble as shown in Figure B with new regulator gear.
9. Pack area with medium grease.
10. To install: Put screw heads through gear openings and tighten down all nuts.

INST

EA

48-60