

Watson's

**StreetWorks** 860.859.0513

PO Box 270, Bozrah, CT 06334

DRIVE IT !



**BILLET ALUMINUM POWER WINDOW SWITCHES**

(2) DRIVER DOOR "3-WIRE" SWITCHES

IN AN OVAL BILLET FRAME AND

(1) PASS. DOOR "3-WIRE" SWITCH IN

AN OVAL BILLET FRAME WITH

POLARITY REVERSING MODULES FOR

EACH WINDOW

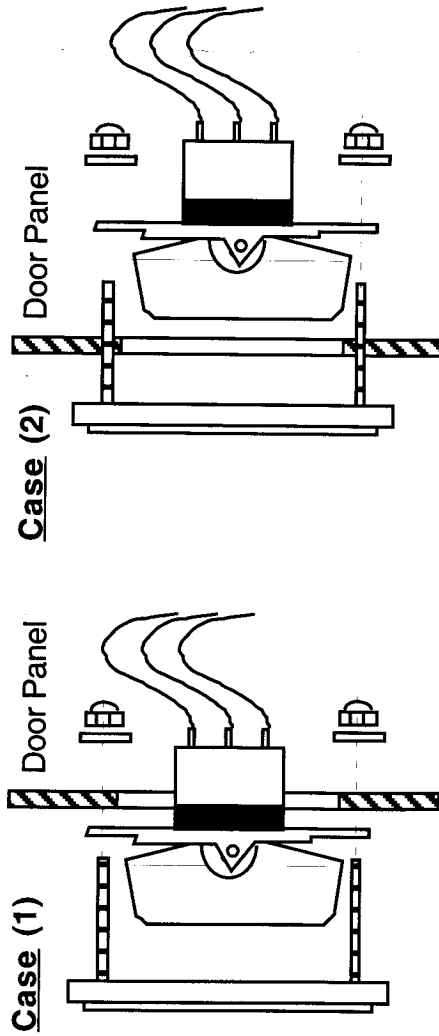
"3-WIRE" power window switches (non-illuminated). Double Billet switches and frame plus Single Billet switch and frame with lead wires and 2 polarity reversing modules. Adapt directly for use with (+) output remote controls - no additional relays needed.

#L39BOT  
"Triple Oval"

Thank you for buying a StreetWorks product. Be confident that it will provide the quality and performance that you demand for your car. *Please read and understand all installation instructions before beginning.* Planning and preparation will make the actual installation process easy and quick.

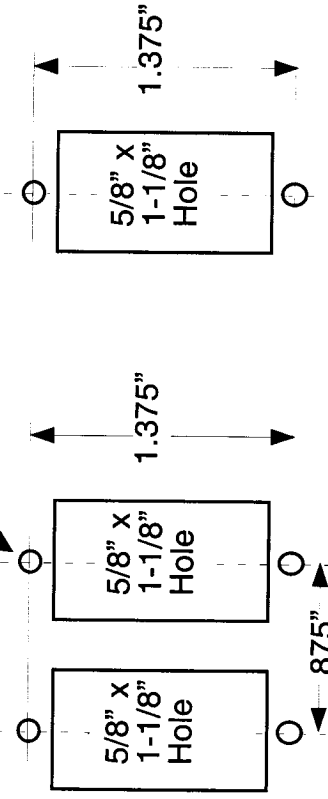
**DISCONNECT ELECTRICAL POWER AT THE BATTERY BEFORE DOING ANY WIRING!**

**1. Determine the location for the switch(es) in your door panels.** There are two ways that the switch, frame and your panel can come together - (1) with the switch and frame both outside the panel, or (2) with the switch inside the panel (3/16" max. panel thickness) and the frame outside the panel. Case (1) requires that you wire the switch to the polarity reversing module as a last step as the panel is installed. Case (2) allows you to wire everything, then install the switch, panel and frame when the panel is installed. For either case, the switch and frame will be attached to the panel, so leave ample wire to allow panel removal. See sketches, below.



**Panel Hole Dimensions**

.125 (1/8") Stud Holes



Double Face Plate

Single Face Plate

**2. Cut Switch Holes.** Using the template/dimensions, above, right, **carefully** mark and cut the holes.

**3. Do the Wiring.** The polarity reversing module (2 relay pack) can be located in the kick panels, under the dash or in the doors. In the door makes for the least number of wires going in-and-out of the door (4 wires for each door, not counting additional remote control or other switches), but the relay pack terminals must be protected from moisture. Always ground to a good chassis ground, not inside the door. Complete the wiring per the diagrams on the reverse side.

**4. Reconnect main power and test your window(s).** For switches not oriented correctly for UP/DOWN, reverse either the yellow wire leads or the switch orientation in the face plate.