

Watson's

**StreetWorks** 860.859.0513

PO Box 270, Bozrah, CT 06334

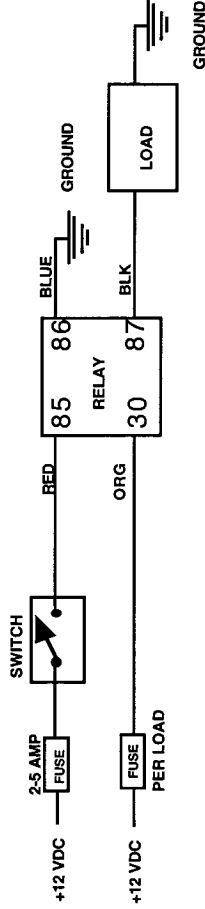
DRIVE IT !



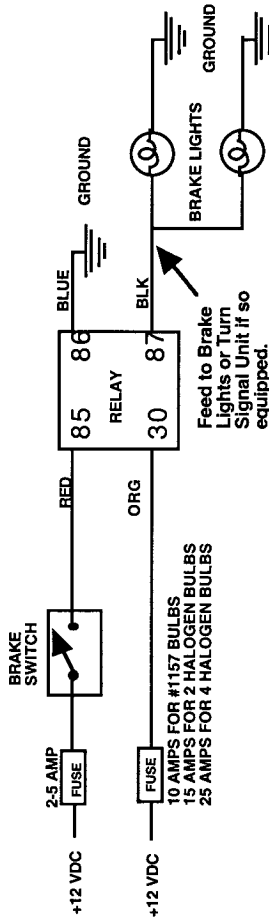
Thank you for buying a StreetWorks product. Be confident that it will provide the quality and performance that you demand for your car. **Please read and understand all installation instructions before beginning.** Planning and preparation will make the actual installation process easy and quick. **Always disconnect the power at the battery before doing any wiring.**

A relay is a "switched-switch", that is, by pushing one switch (like the brake switch or dash board switch) you activate the relay to switch on a high amperage circuit. Both the switch circuit and the high amperage load circuit must be fused per their respective loads, and power wires must be sized to match.

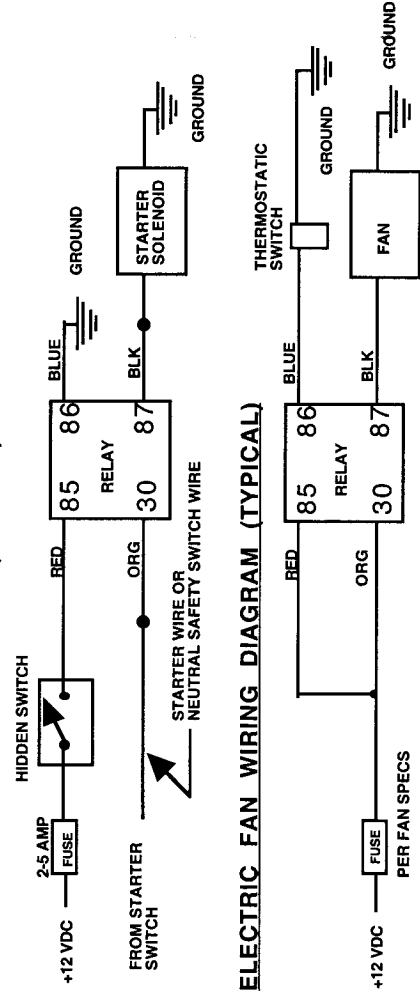
**GENERAL WIRING DIAGRAM**



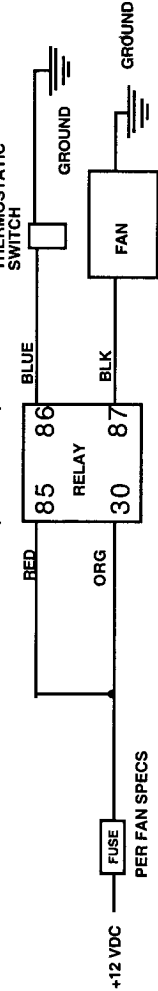
**BRAKE SWITCH WIRING DIAGRAM**



**ANTI-THEFT WIRING DIAGRAM (TYPICAL)**



**ELECTRIC FAN WIRING DIAGRAM (TYPICAL)**

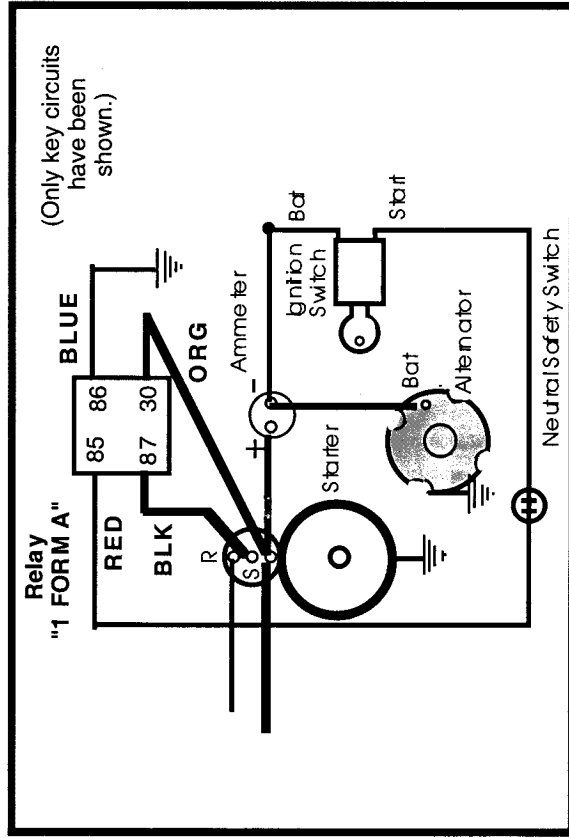


**40 AMP - SPST RELAY**

USE FOR:

- HIGH AMPERAGE CIRCUITS
- BRAKE SWITCH RELAY
- HOT START PROBLEM RELAY
- HEADLIGHT RELIEF RELAY
- ANTI-THEFT DETERRENT, ETC.

**GM HOT START (starter solenoid sticks) WIRING DIAGRAM**



**HEADLIGHT RELIEF RELAY WIRING DIAGRAM**

