

**SEAT TRACK MOUNTING, PADS, BOLTS, UNDER  
FLOOR BRACE AND SWIVEL PIN**  
MID FIFTY F-100 PARTS 1-800-252-1956

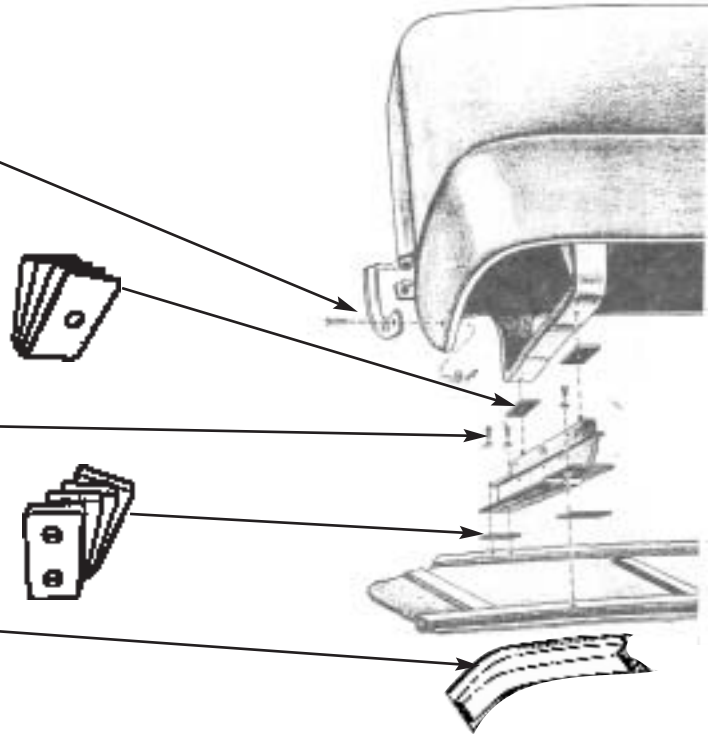
**INST-2179**  
**82145**  
**82140**

**SEAT SWIVEL CLEVIS PIN . . . . .82145**  
holds back on, back swivels on pin,  
does both sides

**SEAT TRACK TO FLOOR INSULATOR**  
2 thick to floor, thin seat to track . . .2179  
Note: 53-55 only uses one hole in front. 56 uses 2

**SEAT TRACK TO FLOOR BOLTS 82140**  
Note: 53-55 only uses one hole in front. 56 uses 2

**FLOOR BRACE, FITS LEFT OR RIGHT . . . . .7787**  
Includes seat track mounting taps, see also page 99



**SEAT TRACK MOUNTING, PADS, BOLTS, UNDER  
FLOOR BRACE AND SWIVEL PIN**  
MID FIFTY F-100 PARTS 1-800-252-1956

**INST-2179**  
**82145**  
**82140**

**SEAT SWIVEL CLEVIS PIN . . . . .82145**  
holds back on, back swivels on pin,  
does both sides

**SEAT TRACK TO FLOOR INSULATOR**  
2 thick to floor, thin seat to track . . .2179  
Note: 53-55 only uses one hole in front. 56 uses 2

**SEAT TRACK TO FLOOR BOLTS 82140**  
Note: 53-55 only uses one hole in front. 56 uses 2

**FLOOR BRACE, FITS LEFT OR RIGHT . . . . .7787**  
Includes seat track mounting taps, see also page 99

