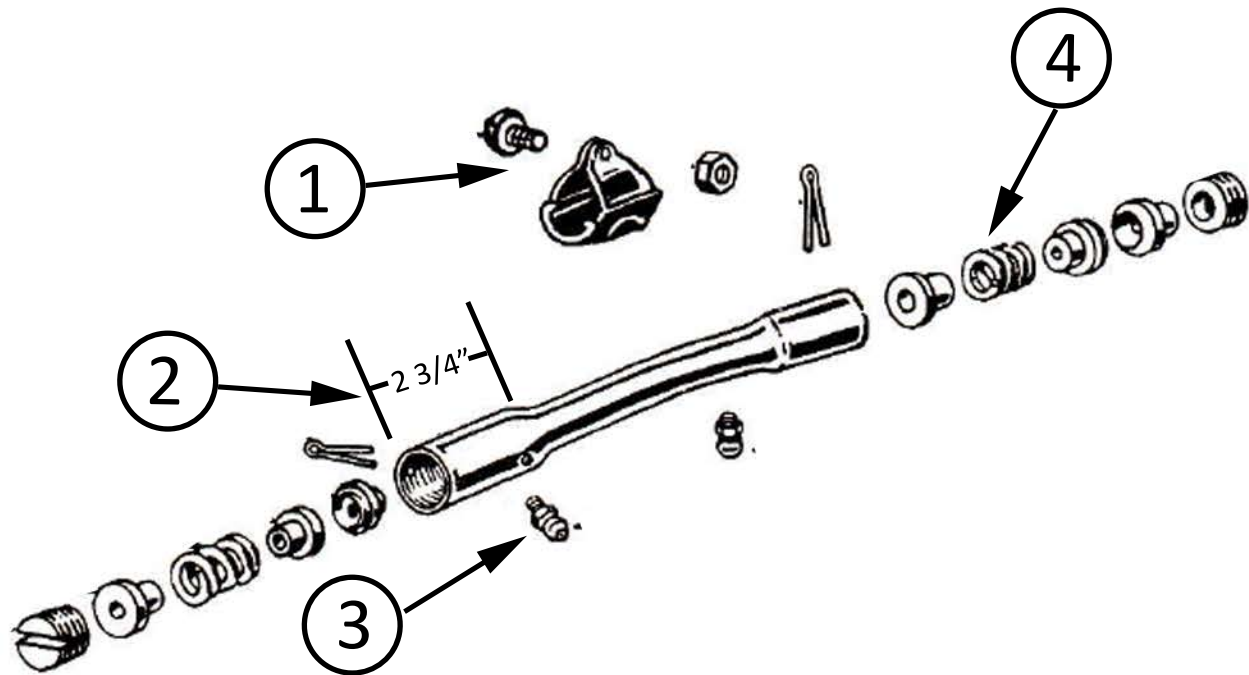


DRAG LINK TUBE DRAG LINK TUBE ENDS

PART NUMBERS
2707
2707-EXT
2708
2708-A
82708
PAGE NUMBER
1 OF 1

INSTRUCTIONS
MID FIFTY F-100 PARTS (800) 252-1956 MIDFIFTY.COM



1. Install the dust sheilds on the spindle armand steering gear arm ball, first.
2. Note, one end of the drag link is longer than the other. The hole is 2 3/4" from the end.
3. The lubricating fittings (our part# 82708) should be on the bottom.
4. Make sure the springsa are installed as shown.
5. Install the spindle end (see#2) first, but do not tighten.
6. Install the other end to the pitman arm ball.
7. Tighten up both end plugs tightly, fully compressing the springs, then back the plugs off to the first cotter pin hole and intall cotter pins.
8. Fasten the dust seals and lubricate with pressure grease gun.