

Steering stop for dropped axle 1953-56

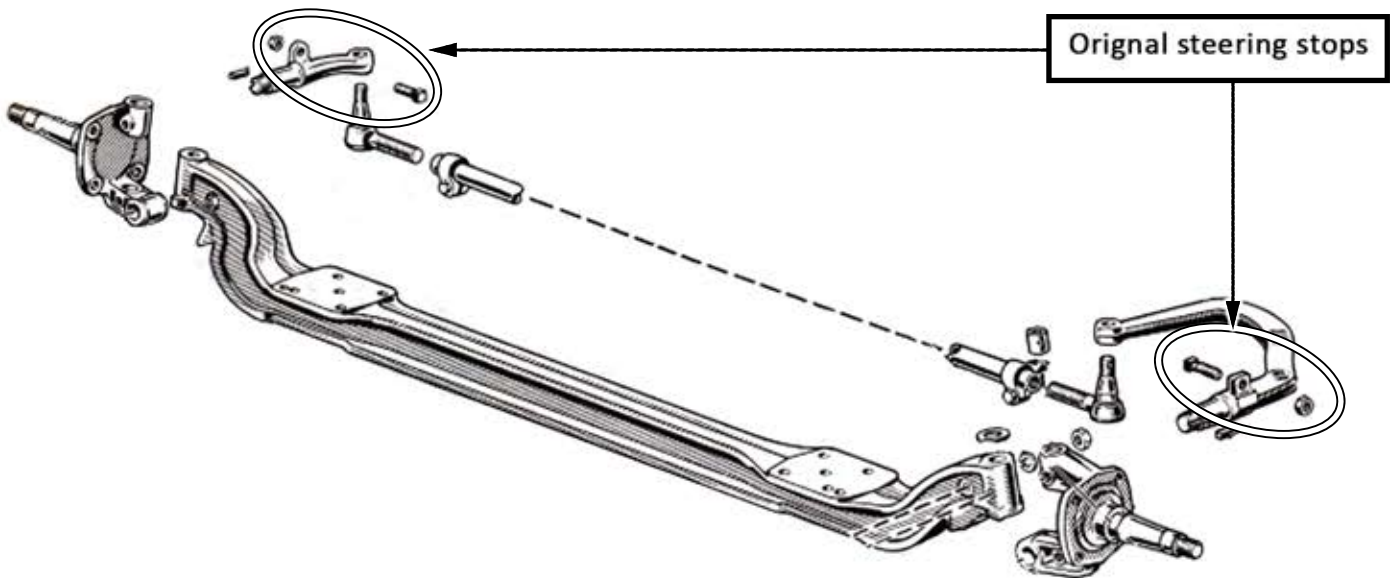
INST-2844-5356A

PART NUMBERS:
2844-5356A

PAGE NUMBER:
1 OF 2

!@#\$%!@#\$% INSTRUCTIONS
MID FIFTY F-100 PARTS (800) 252-1956 MIDFIFTY.COM

The original axle had steering stops on both the driver and passenger sides. These stops will not function with any drop axle because the geometry has changed and that part of the axle is no longer in the path of the steering stop. For a solution to this we have part number 2844-5356A.



Steering stop for dropped axle 1953-56

INST-2844-5356A
PART NUMBERS:
2844-5356A
PAGE NUMBER:
2 OF 2

!@#\$%!@#\$% INSTRUCTIONS
MID FIFTY F-100 PARTS (800) 252-1956 MIDFIFTY.COM

