

“6-to-12” 3rd Brake Light Converter #L74, page 2

Diagram #1: Converter Wiring for 6 vdc negative ground systems.

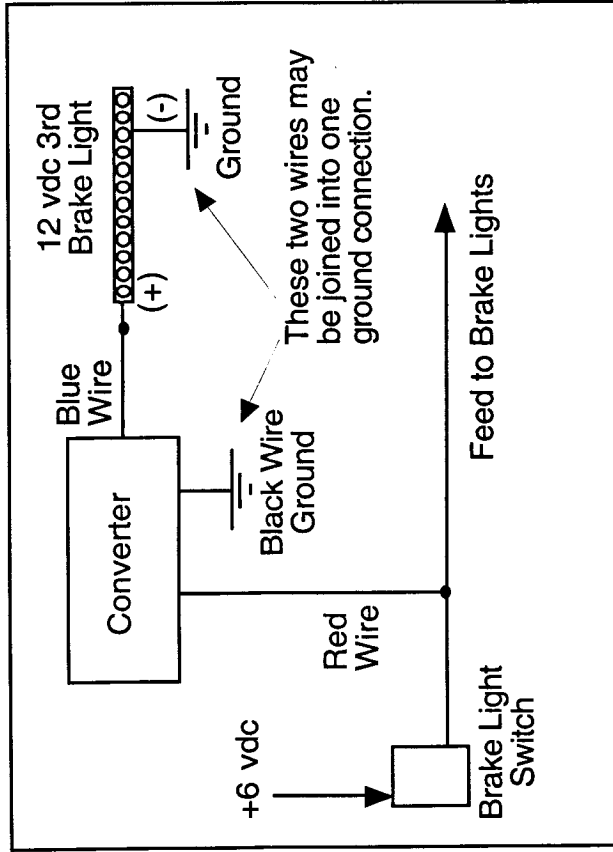
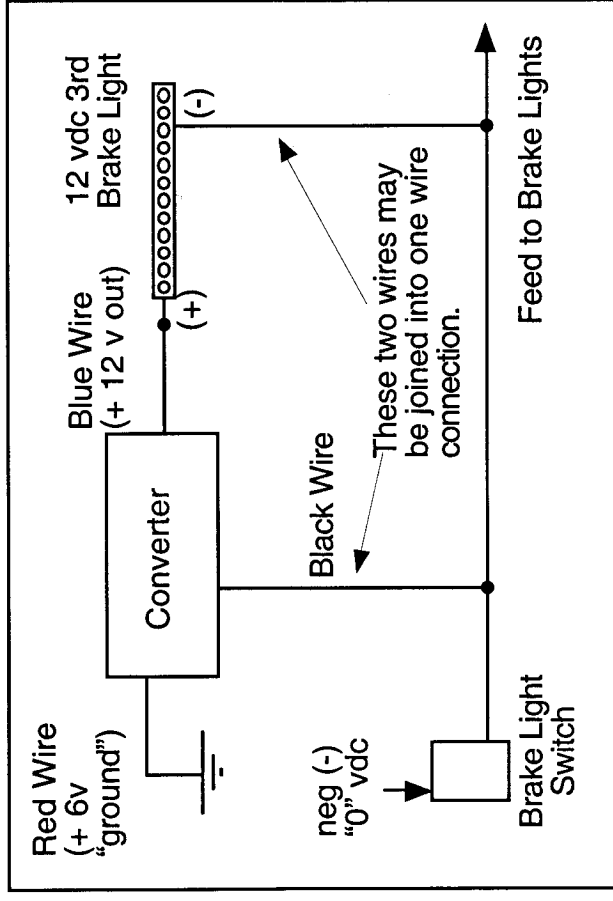


Diagram #2: Converter Wiring for 6 vdc positive ground systems.



NOTE: For either case, the wiring **DOES NOT** have to be done close to the brake switch. It can all be done more toward the rear of the vehicle, close to the brake light(s) feed wire and close to where the 3rd brake light is to be mounted. All that is needed for connections is: (a) a “tap” off of the feed wire going to the brake light(s), and (b) a ground connection.

Be sure to turn off power to the system before doing your wiring and double check your connections before reconnecting power and testing the installation.