

1953-55 WIPER MOTOR

INST-3000-5355

3000-5355

PAGE 1 OF 1

#@\$!*@#\$\$% INSTRUCTIONS
MID FIFTY F-100 PARTS 1-800-252-1956

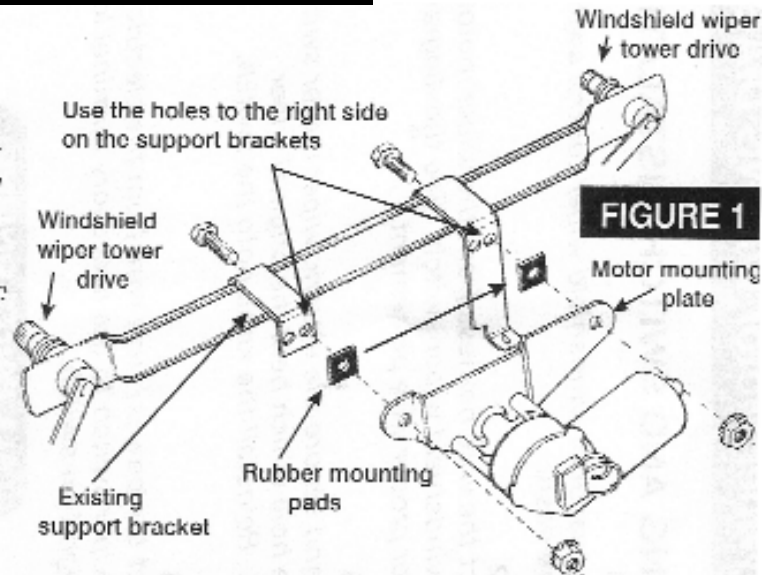
INSTALL WIPER MOTOR

STEP 1

Remove original vacuum wiper motor unit from it's position under the dash and block off the vacuum source. Remove windshield wiper arms from the wiper tower drives.

STEP 2

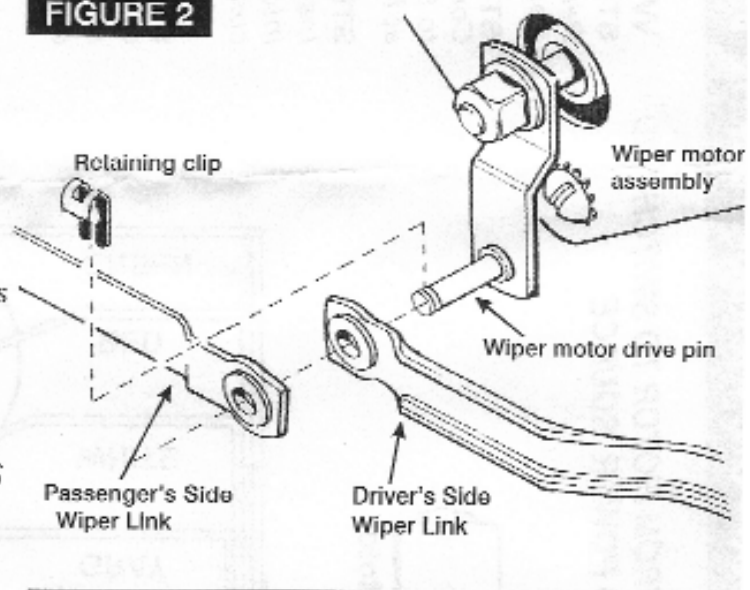
Using the existing support brackets and the holes to the right side on the mounting brackets, place the electric wiper motor assembly into position. (See Figure 1) Place the 2 rubber pads between the motor mounting plate and the support brackets. Insert the bolts from the firewall side and secure the wiper motor assembly with the nuts.



STEP 3

Attach the driver's side wiper link to the wiper motor drive pin first, then attach the passenger's side wiper link to the drive pin (See Figure 2). The links are secured to the drive pin by use of a retaining clip.

FIGURE 2



STEP 4

Connect the electric wiper motor wiring system and install the wiper on/off switch as described on the **WIRING DIAGRAM** displayed on the reverse side of this sheet.

STEP 5

To test the wiper motor stop position, (**DO NOT REINSTALL THE WINDSHIELD WIPERS AT THIS TIME**) turn on the motor then turn it off. Make note where the windshield wiper tower drives stop.

STEP 6

After the stop position has been determined reinstall the windshield wipers onto the wiper tower drives.

STEP 7

If the windshield wipers in stop position need further adjustment, it is possible to remove the motor drive arm from the shaft, rotate the arm slightly clock wise or counter clockwise then reinstall the arm to the shaft. (See figure 3)

