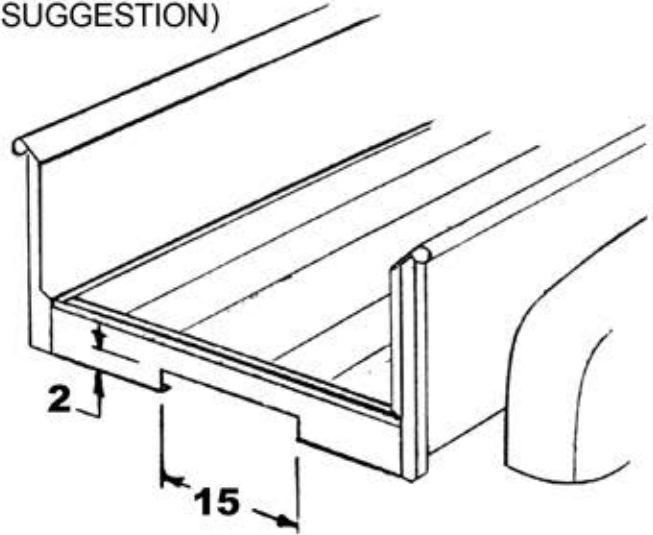


1951-1972 FORD FLARESIDE (STEPSIDE) REAR PANS

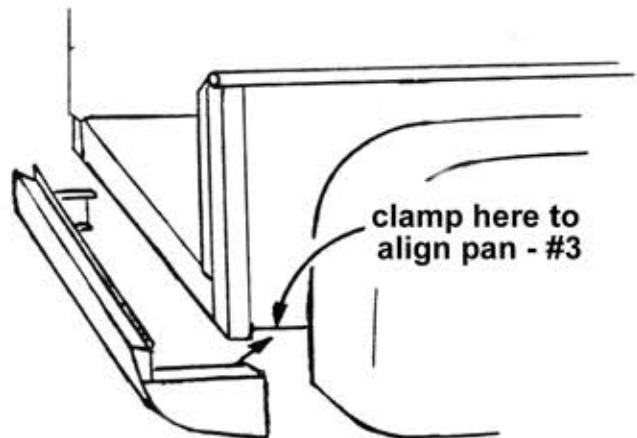
The rear pan fits between the bedsides below the tailgate. It is curved and fills the open area under the tailgate. When the pan is installed the tailgate cannot be opened all the way down and should always be supported by the chains and hooks.

Installation Instructions (THIS IS ONLY A SUGGESTION)

1. Remove the bumper and brackets.
2. If installing a pan with a license box part of the rear sill will have to be cut away to clear the license box. Cut away an area 15" wide and 2" high in the center of the rear sill (the sheet metal surface below the tailgate). A strip of steel may be welded into the cut-out area to reinforce it for strength.



3. Temporarily clamp the pan side panels under the lower rear flanges of the bed sides so that the pan fits in position between the bedsides. The top of the pan should be tight against the rear sill. Check that the license box cut out allows clearance for the tag light socket and wiring.



4. Weld or screw the pan to the rear sill and to the bedsides behind the rear fenders.
5. The pan is now ready for paint refinishing.